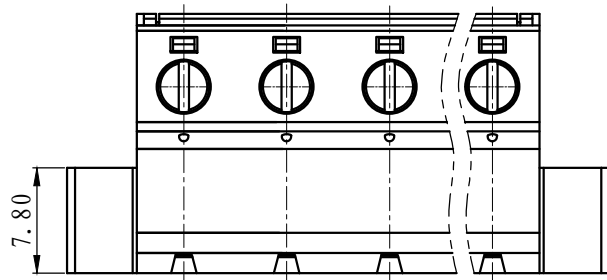


REVISION RECORD			
REV.	CONTENT	MOD.	DATE
△	初版发行		

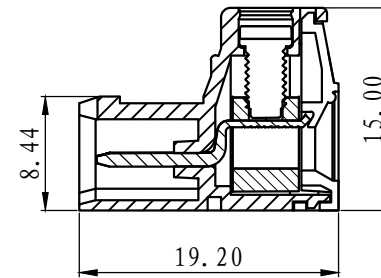
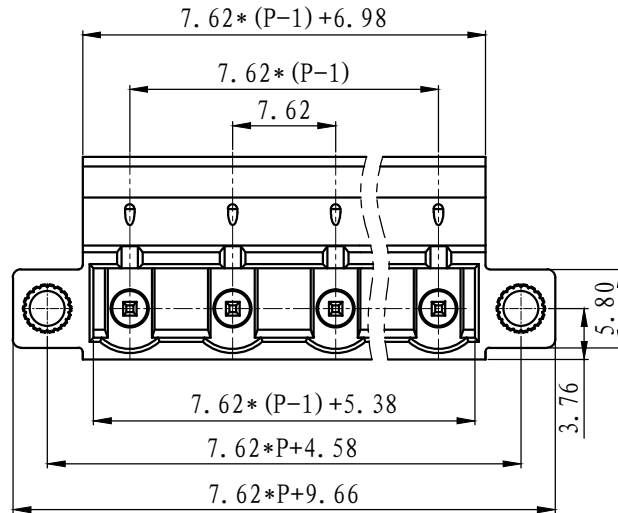


NOTES:

Pitch : 7.62mm  
 Rated Voltage : 400V  
 Rated Current : 20A  
 Withstand Voltage :AC2500V for 1 minute  
 Insulation Resistance :500MΩ / DC500V  
 Using Temperature Range : -40℃ ~ + 105℃  
 Wire range : 24~12 AWG  
 Screw Torque Value : 0.8 N.m

技术要求:

间距: 7.62mm  
 额定电压: 400V  
 额定电流: 12A  
 耐电压值: AC2500V/min  
 绝缘阻抗: 500MΩ/DC500V  
 使用条件: -40℃~+105℃  
 适用线规: 24~12 AWG  
 螺丝扭矩: 0.8 N.m



	pitch dimension			Nominal dimension					— □ ○
	over 0	over 6	over 10	over 0	over 30	over 60	over 100	over 150	
variable range	to 6	to 10	to 24	to 30	to 60	to 100	to 150		
Tolerance	±0.1	±0.15	±0.25	±0.2	±0.3	±0.5	±0.7	±1.0	0.05/10

6.	LZ1-耳朵螺母	SM00B250000V	2	黄铜	
5.	LC10-5.08-焊脚	1011B00010V	P	紫铜	镀雾锡
4.	LC1-5.08-螺丝	SPOYA305301V	P	碳钢	三价铬钝化彩锌
3.	LC1-5.08-铜方块	F1A0BLC5083V	P	黄铜	镀镍
2.	LC1-7.62-盖板	1007COYXXAV	1	PA66-V0	
1.	LC10MG-7.62-本体	1138NOYXXAV	1	PA66-V0	
NO.	NAME OF PART	NO. OF PART	Q' TY	MATERIAL	NOTES
DES.	HH	DATE	2017/03/27	UNITS	MM
CHK.	DATE	SIZE	A4	THIRD ANGLE PROJECTION	
APP.	DATE	SCALE	1:1	DWG NO.	SP-2-1132001
 <b>上海有乐电气有限公司</b> Shanghai YouLe Electric Co., LTD				TITLE	LC10MG-7.62-XXP-1Y-00A LC10MG-7.62-成品